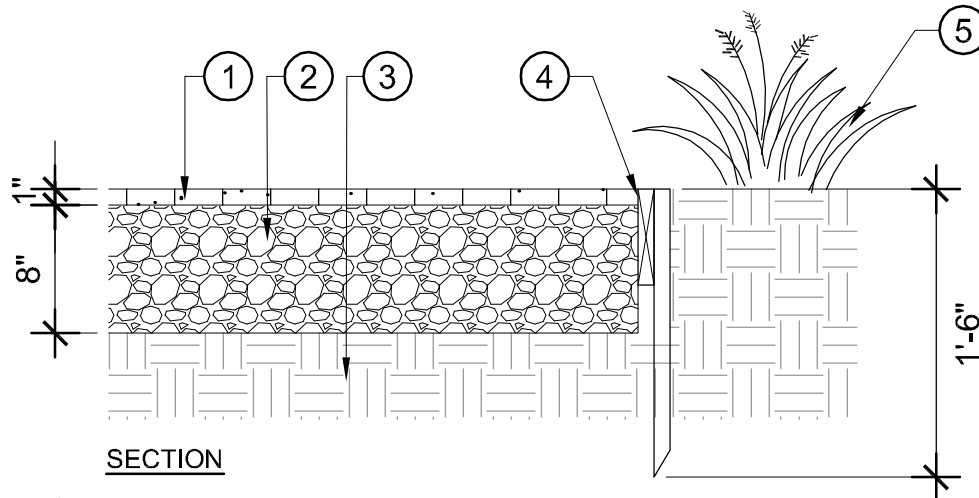


- ① GRAVEL PAVE XL PAVING SYSTEM. OR APPROVED EQUAL. AGGREGATE FILL SELECTED BY OWNER. INSTALL PER MANUFACTURER'S INSTRUCTIONS.
- ② PERMEABLE CLASS 2 AGGREGATE BASE ROCK. COMPACT TO 95%
- ③ SUBGRADE UNDISTURBED OR COMPACTED TO 90%
- ④ 2X6 RDW HEADER, 18" STAKES @ 6' O.C., SCAB AT OVERLAPPING ENDS AND STAKE AT 3' O.C. OPTIONAL CONCRETE CURB.
- ⑤ ADJACENT PLANTING AREA

NOTE: CONSULT WITH GEOTECHNICAL & CIVIL ENGINEER FOR AGGREGATE DEPTH, PERFORMANCE IN CLAY SOILS AND NEED FOR SUBDRAINS.

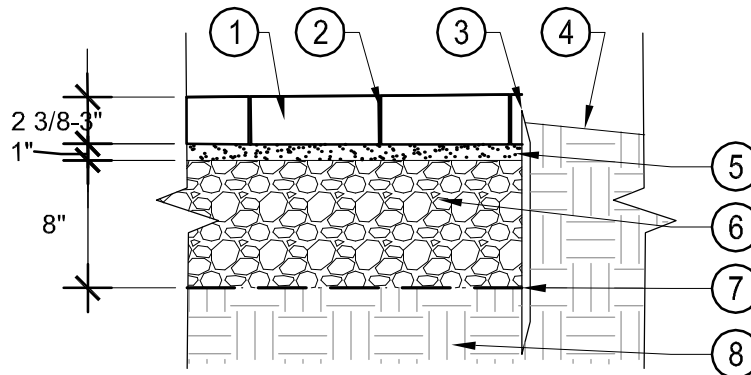


## ⑥ GRAVELPAVE PAVING - VEHICLE (OPTIONAL)

SCALE: 1"=1'-0"

- ① CONCRETE UNIT PAVER: SELECT PERVIOUS PAVERS OR PERMEABLE PAVERS. INSTALL PER MANUFACTURER'S INSTRUCTIONS.
- ② JOINTS PER MANUFACTURER'S INSTRUCTIONS.
- ③ METAL EDGING. OPTIONAL CONCRETE CURB.
- ④ SHOULDER, FINISH GRADE
- ⑤ SAND SETTING BED PER MANUFACTURER'S INSTRUCTIONS
- ⑥ PERMEABLE CLASS II AGGREGATE BASE ROCK, COMPACTED TO 95%
- ⑦ FILTER FABRIC
- ⑧ COMPACTED SUBGRADE TO 90%

NOTE: CONSULT WITH GEOTECHNICAL & CIVIL ENGINEER FOR AGGREGATE BASE DEPTH, PERFORMANCE IN CLAY SOILS AND NEED FOR SUBDRAINS



7

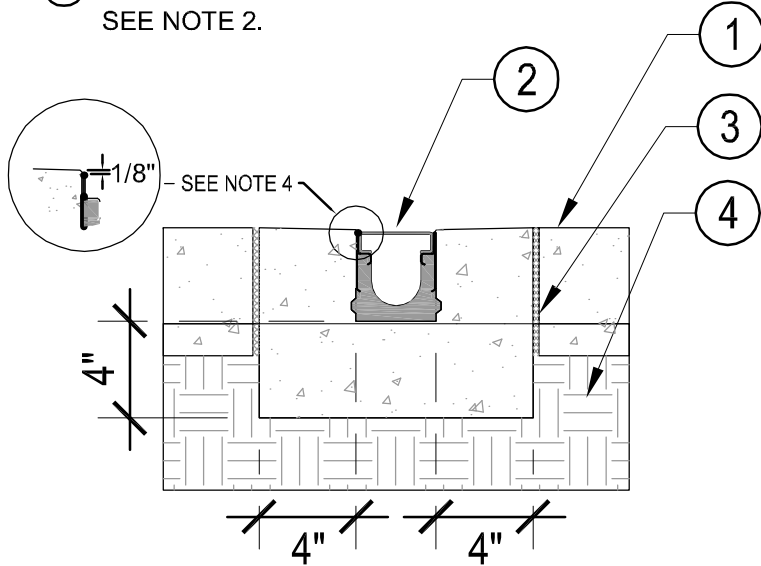
PERVIOUS OR PERMEABLE UNIT PAVER - VEHICLE (OPTIONAL)

SCALE: 1"=1'-0"

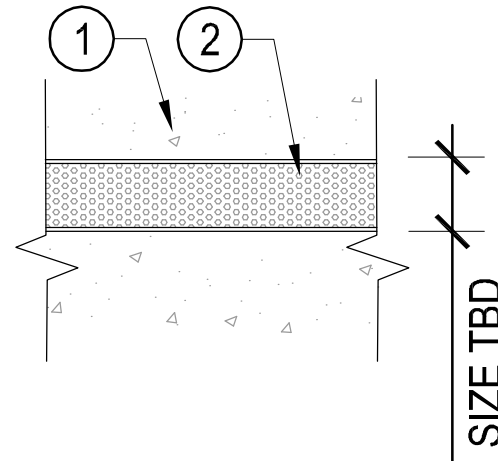
- ① CONCRETE DRIVEWAY - DESIGN BY OTHERS. SEE NOTE 2 AND GENERAL NOTES THIS PAGE.
- ② TRENCH DRAIN, SIZE TBD BY OTHERS, SEE NOTE 1.
- ③ EXPANSION JOINT REQUIRED. SEE NOTE 2.
- ④ COMPACTED SUBGRADE - DESIGN BY OTHERS. SEE NOTE 2.

NOTES:

- 1. TRENCH DRAIN: K50 BY ACO POLYMER PRODUCTS, INC, OR EQUAL. REFER TO MANUFACTURER'S LATEST INSTALLATION INSTRUCTIONS FOR DETAILS.
- 2. DRIVEWAY ENGINEERING BY OTHERS. INSURE PROPER DESIGN FOR LOAD AND SOILS, PLACEMENT OF EXPANSION JOINTS AND REINFORCEMENT.



SECTION



PLAN

8

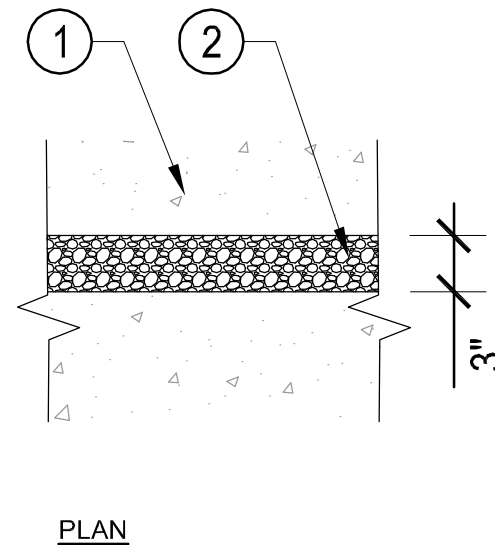
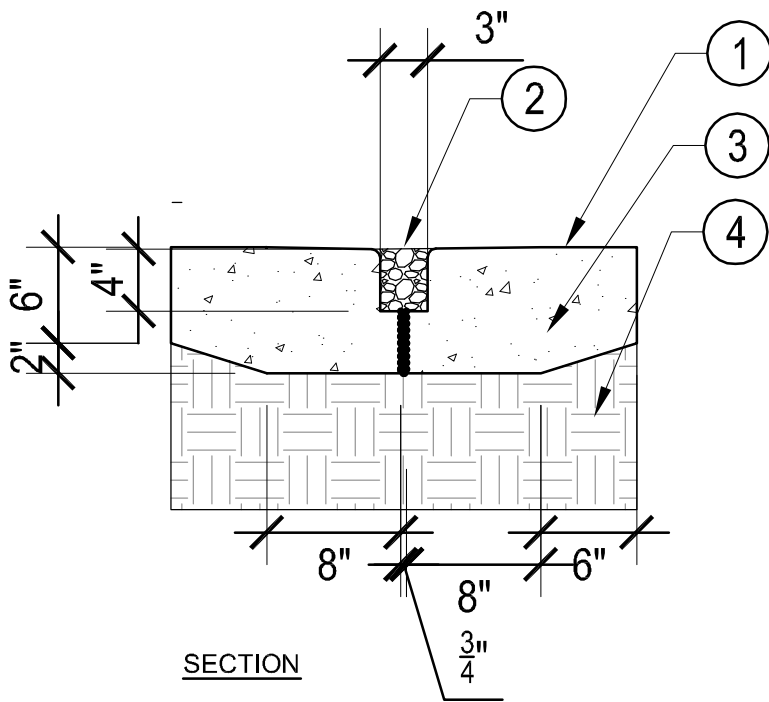
**CONCRETE - VEHICLE - TRENCH DRAIN (OPTIONAL)**

SCALE: 1"=1'-0"

- ① CONCRETE DRIVEWAY - DESIGN BY OTHERS. SEE NOTE 1.
- ② GRAVEL DRAINAGE SEAM
- ③ EXPANSION JOINT
- ④ COMPACTED SUBGRADE - DEPTH DETERMINED BY GEOTECH ENG.

NOTES:

- 1. DRIVEWAY ENGINEERING BY OTHERS TO INSURE PROPER DESIGN FOR LOAD AND SOILS.
- 2. EXPANSION AND CONTRACTION CONTROL JOINTS AND REINFORCEMENT RECOMMENDED.

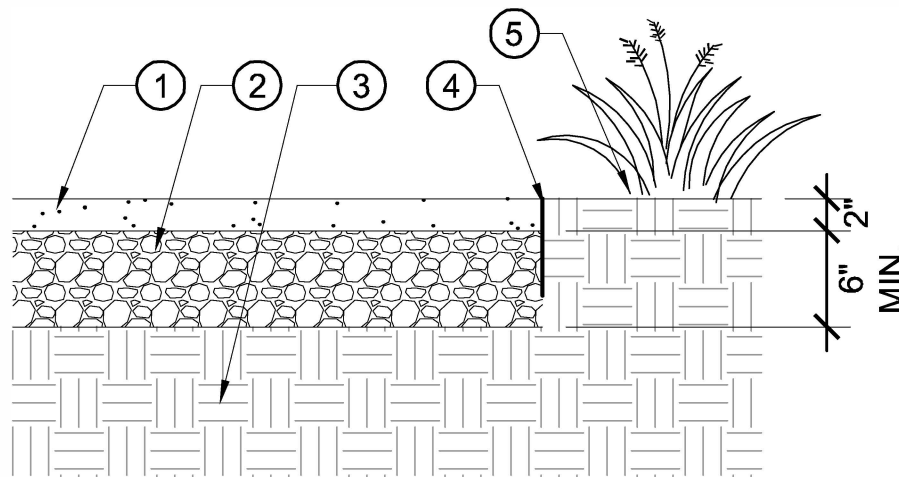


9

**CONCRETE - VEHICLE - GRAVEL DRAINAGE SEAMS (OPTIONAL)**

SCALE: 1"=1'-0"

- ① STABILIZED 3/8-" AGGREGATE, STABILIZER: ECO-PAVE OR EQUAL. CONTROL RUNNING AND CROSS SLOPES FOR ACCESSIBILITY.
- ② RECYCLED CLASS II AGGREGATE BASE ROCK, COMPACT TO 95%. CONFIRM AGGREGATE DEPTH W/ GEOTECH. ENG.
- ③ SUBGRADE UNDISTURBED OR COMPACTED TO 95%, CONFIRM SUBGRADE TREATMENT W/ GEOTECH ENG.
- ④ PAVEMENT EDGE, 1/4" X 6" STEEL OR ALUMINUM, OR CONCRETE CURB
- ⑤ ADJACENT PLANTING AREA, SLOPE AWAY FROM PAVING



10

## STABILIZED AGGREGATE - VEHICLE (OPTIONAL)

SCALE: 1"=1'-0"